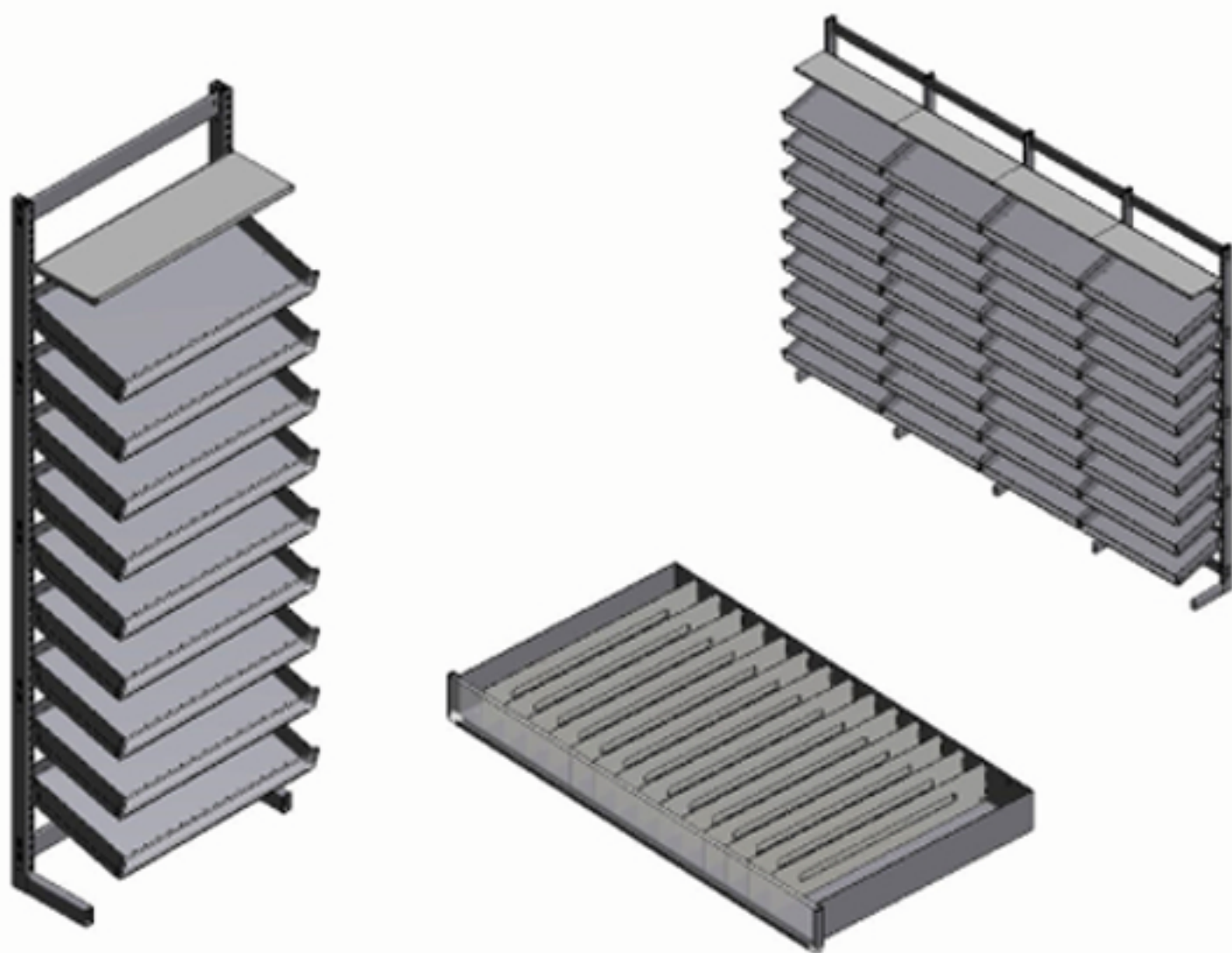


# FPDGROUP<sup>Ltd</sup>

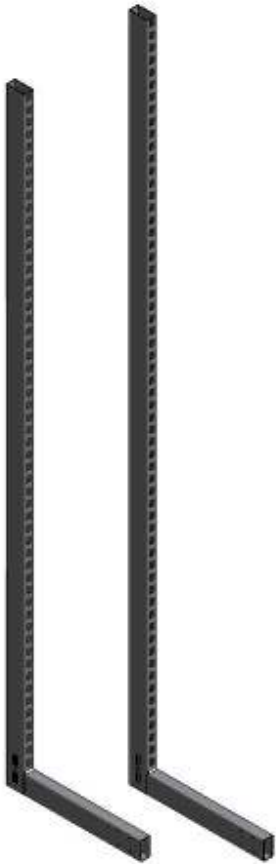
Your partner in pharmacy storage



## Sloping systems Hospital Pharmacies

Version 2015.01

# Part 1: Components



## Freestanding uprights « L » 30/60

RAL 9016 S

Pitch 35

Overall frame depth 460 mm - 18,11 in

Reference number

H. 2030 mm - 79,92 in

30-04-02-2030-16

H. 2240 mm - 88,19 in

30-04-02-2240-16

Uprights « L » are single side punched (SSP)

## Mounting bracket



Galvanized steel to snap off

60-50-01

80 x 210 mm (3,15 x 8,27 in) thickness: 3 mm

To fix uprights into the wall, 2 pieces per upright

## Freestanding uprights « T » 30/60

RAL 9016 S

Pitch 35

Overall frame depth 820 mm - 18,11 in

Reference number

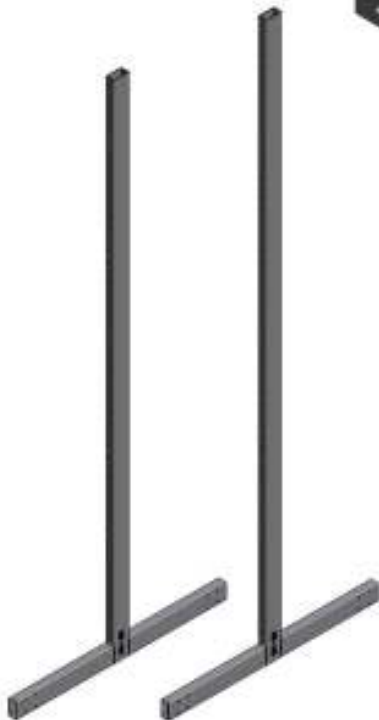
H. 2030 mm - 79,92 in

30-06-02-2030-16

H. 2240 mm - 88,19 in

30-06-02-2240-16

Uprights « T » are double side punched (DSP)



- All heights available on request subject to a minimum quantity.
- To avoid risks and as a matter of security, we advice you to fix the uprights into the floor with stabilisers or into the wall with mounting brackets.

# Stabilisation and fixation



## Floor levellers

M10 x H. 50 mm - 1,97 in

61-30-01

Ø 45 mm - 1,77 in

High resistance black nylon foot to screw

2 pieces per upright



## Stabiliser

M10 x H. 50 mm - 1,97 in

61-30-02

Galvanized steel foot 48 x 20 mm (1,89 x 0,79 in) to screw

Possibility to fix into the floor

2 pieces per upright



## Base tie bars

Length	Mid-distance	RAL 9005
L. 675 mm - 26,57 in	705 mm - 27,76 in	30-06-01-705-16
L. 775 mm - 30,51 in	805 mm - 31,69 in	30-06-01-805-16
L. 875 mm - 34,45 in	905 mm - 35,63 in	30-06-01-905-16



## Tie bars

Length	Mid-distance	RAL 9005
L. 675 mm - 26,57 in	705 mm - 27,76 in	30-01-705-16
L. 775 mm - 30,51 in	805 mm - 31,69 in	30-01-805-16
L. 875 mm - 34,45 in	905 mm - 35,63 in	30-01-905-16



## Safety clip

Black clip to interlink above the tie bar.

2 pieces per tie bar

50-02-005

## Base and side covering components



### Skirting board

#### Measures

**RAL 9016 S**

H. 140 x L. 705 mm	5,51 x 27,76 in	30-04-14-705-16
H. 140 x L. 805 mm	5,51 x 31,69 in	30-04-14-805-16
H. 140 x L. 905 mm	5,51 x 35,63 in	30-04-14-905-16



### Base panels

#### Measures

**RAL 9016 S**

H. 100 x L. 705 x D. 370 mm	3,94 x 27,76 x 14,57 in	30-06-03-705-16
H. 100 x L. 805 x D. 370 mm	3,94 x 31,69 x 14,57 in	30-06-03-805-16
H. 100 x L. 905 x D. 370 mm	3,94 x 35,63 x 14,57 in	30-06-03-905-16



### Base cover

#### Measures

**RAL 9016 S**

L. 705 mm	27,76 in	30-04-06-705-16
L. 805 mm	31,69 in	30-04-06-805-16
L. 905 mm	35,63 in	30-04-06-905-16

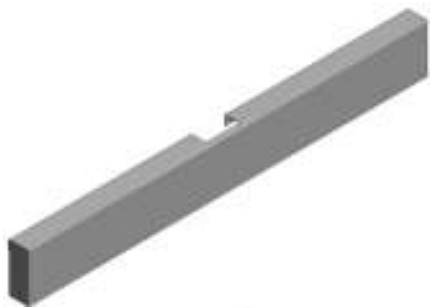


### Side base upright « L »

#### Measures

**RAL 9016 S**

Right: H. 100 x L. 460 mm	3,94 x 18,11 in	30-04-10-053-16
Left: H. 100 x L. 460 mm	3,94 x 18,11 in	30-04-10-054-16



**Side base upright « T »**

Measures

**RAL 9016 S**

H. 100 x L. 830 mm

3,94 x 32,68 in

30-06-10-052-16



**Cover section side**

Measures

**RAL 9016 S**

L. 90 x H. 2030 mm

3,54 x 79,92 in

30-04-10-2030-16

L. 90 x H. 2240 mm

3,54 x 88,19 in

30-04-10-2240-16



**Overstock shelf**

Extension shelf 90 mm - 3.54 in deep with optional label holder to optimize space and flexibility at the fill-up side.

Measures

**RAL 9016 S**

15°

705 mm - 27,76 in

30-08-06-15-705-16

805 mm - 31,69 in

30-08-06-15-805-16

905 mm - 35,63 in

30-08-06-15-905-16

30°

705 mm - 27,76 in

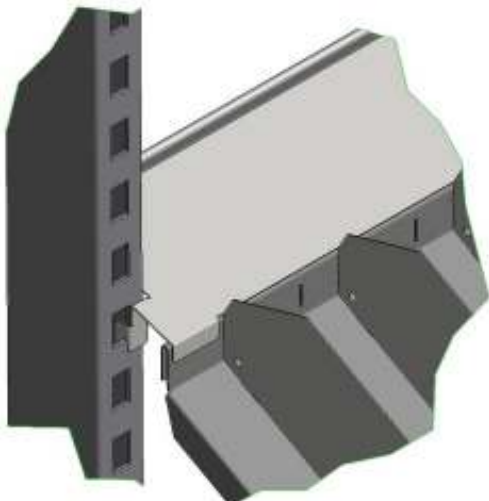
30-08-06-30-705-16

805 mm - 31,69 in

30-08-06-30-805-16

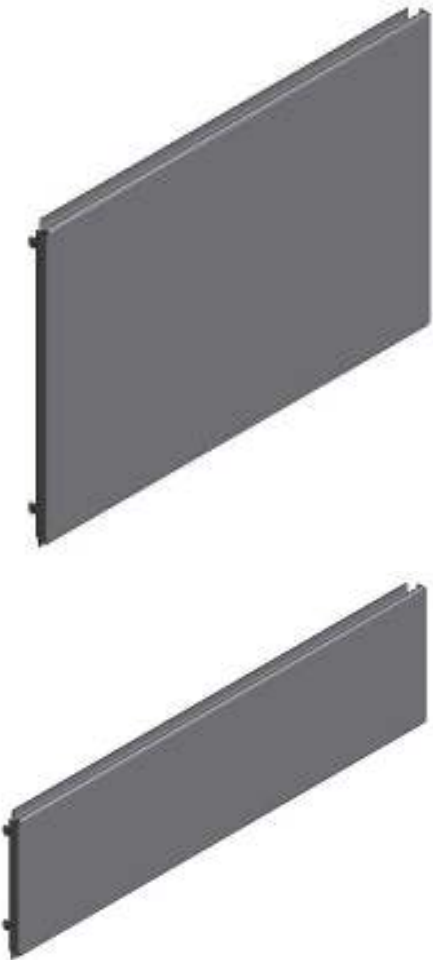
905 mm - 35,63 in

30-08-06-30-905-16



**Each unit can be optionally equipped with backpanels**

# Backside covering components

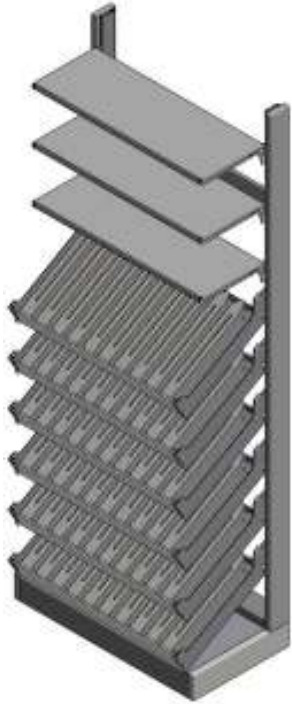


## Back panels

**RAL 9016 S**

**Measures**

H. 70 x L. 705 mm	2,76 x 27,76 in	30-04-07-705-16
H. 105 x L. 705 mm	4,13 x 27,76 in	30-04-10-705-16
H. 210 x L. 705 mm	8,27 x 27,76 in	30-04-21-705-16
H. 420 x L. 705 mm	16,54 x 27,76 in	30-04-42-705-16
H. 70 x L. 805 mm	2,76 x 31,69 in	30-04-07-805-16
H. 105 x L. 805 mm	4,13 x 31,69 in	30-04-10-805-16
H. 210 x L. 805 mm	8,27 x 31,69 in	30-04-21-805-16
H. 420 x L. 805 mm	16,54 x 31,69 in	30-04-42-805-16
H. 70 x L. 905 mm	2,76 x 35,63 in	30-04-07-905-16
H. 105 x L. 905 mm	4,13 x 35,63 in	30-04-10-905-16
H. 210 x L. 905 mm	8,27 x 35,63 in	30-04-21-905-16
H. 420 x L. 905 mm	16,54 x 35,63 in	30-04-42-905-16



# Sloping shelf



## Shelf depth

**RAL 9016 S**

**Sloping 0° - 15° - 30°**

**420 mm - 16,54 in**

**520 mm - 20,47 in**

<b>Sloping shelf assembly mid-distance 705 (27,76 in)</b>	<b>30-08-42-705-16</b>	<b>30-08-52-705-16</b>
---	------------------------	------------------------

**A sloping shelf assembly is composed of: (can be ordered separately)**

1 bracket right	30-08-04-04.01-16	30-08-04-05.01-16
1 bracket left	30-08-04-04.02-16	30-08-04-05.02-16
1 sloping shelf base 705	30-08-01-42-705-16	30-08-01-52-705-16
8 dividers	30-07-02-420-16	30-07-02-520-16
1 Perspex front 690 x h. 80 mm (27,76 x 3,15 in)	30-07-03-705	

<b>Sloping shelf assembly mid-distance 805 (31,69 in)</b>	<b>30-09-42-805-16</b>	<b>30-09-52-805-16</b>
---	------------------------	------------------------

**A sloping shelf assembly is composed of: (can be ordered separately)**

1 bracket right	30-08-04-04.01-16	30-08-04-05.01-16
1 bracket left	30-08-04-04.02-16	30-08-04-05.02-16
1 sloping shelf base 805	30-09-01-42-805-16	30-09-01-52-805-16
10 dividers	30-07-02-420-16	30-07-02-520-16
1 Perspex front 790 x h. 80 mm (31,69 x 3,15 in)	30-07-03-805	

<b>Sloping shelf assembly mid-distance 905 (35,63 in)</b>	<b>30-09-42-905-16</b>	<b>30-09-52-905-16</b>
---	------------------------	------------------------

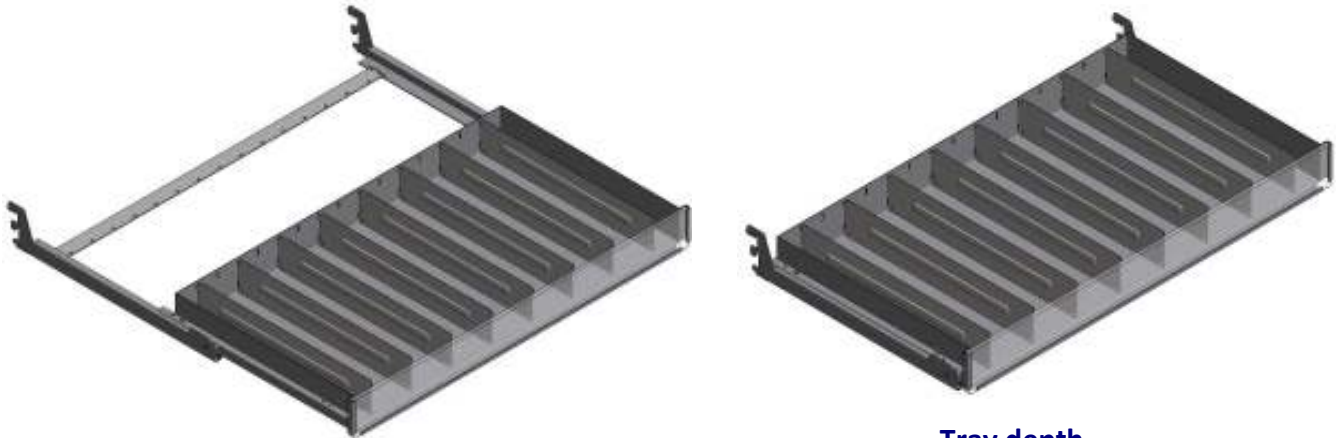
**A sloping shelf assembly is composed of: (can be ordered separately)**

1 bracket right	30-08-04-04.01-16	30-08-04-05.01-16
1 bracket left	30-08-04-04.02-16	30-08-04-05.02-16
1 sloping shelf base 905	30-09-01-42-905-16	30-09-01-52-905-16
12 dividers	30-07-02-420-16	30-07-02-520-16
1 Perspex front 890 x h. 80 mm (35,04 x 3,15 in)	30-07-03-905	



**Maximum loading weight 30 kg**

# Sloping tray



## Tray depth

<b>RAL 9016 S</b>	<b>Sloping 0° - 15° - 30°</b>	<b>420 mm - 16,54 in</b>	<b>520 mm - 20,47 in</b>
-------------------	-------------------------------	--------------------------	--------------------------

<b>Sloping tray assembly mid-distance 705 (27,76 in)</b>	<b>30-07-42-705-16</b>	<b>30-07-52-705-16</b>
--	------------------------	------------------------

**A sloping tray assembly is composed of: (can be ordered separately)**

1 slide hook right	30-07-10-04.01-16	30-07-10-05.01-16
1 slide hook left	30-07-10-04.02-16	30-07-10-05.02-16
1 sloping tray base 705	30-07-01-42-705-16	30-07-01-52-705-16
8 longitudinal dividers	30-07-02-420-16	30-07-02-520-16
2 reinforcing bars 705 mm	30-07-05-705-16	30-07-05-705-16
1 Perspex front 690 x h. 80 mm (27,76 x 3,15 in)	30-07-03-705	

<b>Sloping tray assembly mid-distance 805 (31,69 in)</b>	<b>30-07-42-805-16</b>	<b>30-07-52-805-16</b>
--	------------------------	------------------------

**A sloping tray assembly is composed of: (can be ordered separately)**

1 slide hook right	30-08-04-04.01-16	30-08-04-05.01-16
1 slide hook left	30-08-04-04.02-16	30-08-04-05.02-16
1 sloping tray base 805	30-09-01-42-805-16	30-09-01-52-805-16
10 longitudinal dividers	30-07-02-420-16	30-07-02-520-16
2 reinforcing bars 805 mm	30-07-05-805-16	30-07-05-805-16
1 Perspex front 790 x h. 80 mm (31,69 x 3,15 in)	30-07-03-805	

<b>Sloping tray assembly mid-distance 905 (35,63 in)</b>	<b>30-07-42-905-16</b>	<b>30-07-52-905-16</b>
--	------------------------	------------------------

**A sloping tray assembly is composed of: (can be ordered separately)**

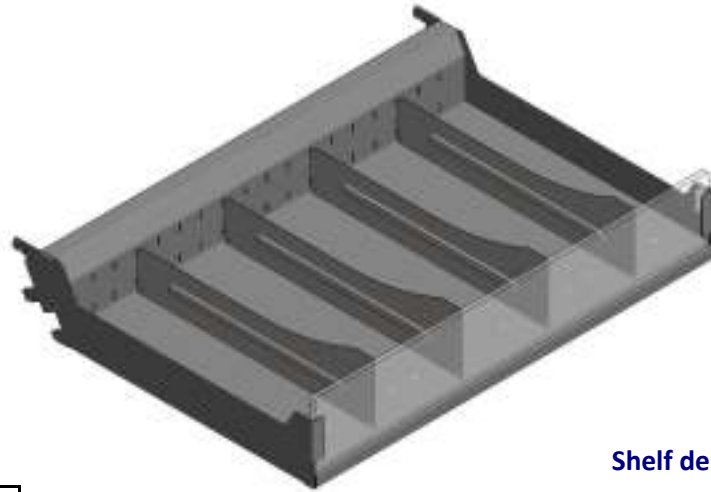
1 slide hook right	30-08-04-04.01-16	30-08-04-05.01-16
1 slide hook left	30-08-04-04.02-16	30-08-04-05.02-16
1 sloping tray base 805	30-09-01-42-905-16	30-09-01-52-905-16
12 longitudinal dividers	30-07-02-420-16	30-07-02-520-16
2 reinforcing bars 805 mm	30-07-05-805-16	30-07-05-805-16
1 Perspex front 890 x h. 80 mm (35,04 x 3,15 in)	30-07-03-905	



**Maximum loading weight 30 kg**



## Deep shelf for bulkier products



RAL 9016 S	Shelf depth		
	Sloping 0° - 15° - 30°	420 mm - 16,54 in	520 mm - 20,47 in
<b>An assembly mid-distance 705 (27,76 in)</b>	<b>30-09-42-705-16</b>	<b>30-09-52-705-16</b>	
<b><u>An assembly is composed of: (can be ordered separately)</u></b>			
1 bracket right	30-08-04-05.01-16	30-08-04-05.01-16	
1 bracket left	30-08-04-05.02-16	30-08-04-05.02-16	
1 discounter base 705	30-09-01-42-705-16	30-09-01-52-705-16	
5 dividers	30-09-02-420-16	30-09-02-520-16	
1 Perspex front 690 x h. 120 mm (27,76 x 4,72 in)	30-09-03-705		
<b>An assembly mid-distance 805 (31,69 in)</b>	<b>30-09-42-805-16</b>	<b>30-09-52-805-16</b>	
<b><u>An assembly is composed of: (can be ordered separately)</u></b>			
1 bracket right	30-08-04-04.01-16	30-08-04-05.01-16	
1 bracket left	30-08-04-04.02-16	30-08-04-05.02-16	
1 discounter base 705	30-09-01-42-805-16	30-09-01-52-805-16	
6 dividers	30-09-02-420-16	30-09-02-520-16	
1 Perspex front 790 x h. 120 mm (31,69 x 4,72 in)	30-09-03-805		
<b>An assembly mid-distance 905 (35,63 in)</b>	<b>30-09-42-905-16</b>	<b>30-09-52-905-16</b>	
<b><u>An assembly is composed of: (can be ordered separately)</u></b>			
1 bracket right	30-08-04-04.01-16	30-08-04-05.01-16	
1 bracket left	30-08-04-04.02-16	30-08-04-05.02-16	
1 discounter base 705	30-09-01-42-905-16	30-09-01-52-905-16	
7 dividers	30-09-02-420-16	30-09-02-520-16	
1 Perspex front 890 x h. 120 mm (35,04 x 4,72 in)	30-09-03-905		



**Maximum loading weight 30 kg**

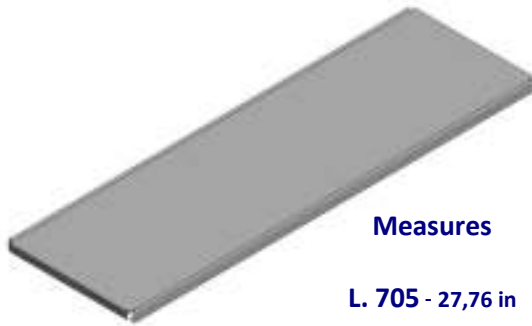
# Part 2: Optional equipment

## Bracket for metal shelves



Length	Right	Left	RAL 9016 S
150 mm - 5,91 in			30-06-15-035-16
250 mm - 9,84 in			30-06-25-035-16
300 mm - 11,81	30-06-30.01-035-16	30-06-30.02-035-16	
400 mm - 15,75 in	30-06-30.01-035-16	30-06-30.02-035-16	
500 mm - 19,69 in	30-06-30.01-035-16	30-06-30.02-035-16	

## Flat metal shelves and top board



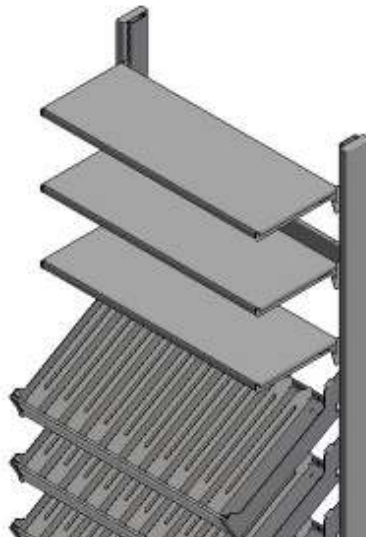
Shelf thickness: 30 mm - 1,18 in

RAL 9016 S

Measures	D. 150 mm - 5,91 in	D. 250 mm - 9,84 in	D. 300 mm - 11,81 in
L. 705 - 27,76 in	30-06-15-705-16	30-06-25-705-16	30-06-30-705-16
L. 805 - 31,69 in	30-06-15-805-16	30-06-25-805-16	30-06-30-805-16
L. 905 - 35,63 in	30-06-15-905-16	30-06-25-905-16	30-06-30-905-16

To have shelves of 400 mm deep, please assemble 1 shelf of 150 mm deep + 1 of 250 mm deep

To have shelves of 500 mm deep, please assemble 2 shelves of 250 mm deep



Maximum loading weight 30 kg



### Bracket for timber shelves

Pitch 35

RAL 9016 S

D. 165 mm (6,50 in) right	60-15.01-01-16
D. 165 mm (6,50 in) left	60-15.02-01-16
D. 265 mm (10,43 in) right	60-15.01-02-16
D. 265 mm (10,43 in) left	60-15.02-02-16

### Bracket 'Non-Stop' worktop unit

Pitch 35

RAL 9016 S



D. 300 mm - 11,81 in	Right	60-10.01-30-16
	Left	60-10.02-30-16
D. 400 mm - 15,75 in	Right	60-10.01-40-16
	Left	60-10.02-40-16
D. 600 mm - 23,62 in	Right	60-10.01-60-16
	Left	60-10.02-60-16



### Metal shelf label holder

Transparent PVC

Suitable for steel shelves, sloping shelves, sloping trays and overstock shelves

691 mm x H. 26 mm - 27,72 x 1,02 in	50-04-010-705
791 mm x H. 26 mm - 31,65 x 1,02 in	50-04-010-805
891 mm x H. 26 mm - 35,08 x 1,02 in	50-04-010-905

### Perspex Tray

Multifunctional perspex tray

125 mm x 195 mm x 50 mm - 4,92 in x 7,68 in x 1,97 in

60-50-10



# Drawer units

## Drawer unit 705

Drawers useful depth 320 mm (12,60 in) - Overall depth 433 mm (17,05 in)

Drawer: 2 lanes 173,1 mm (6,81 in) + 1 lane 258 mm (10,16 in)

Assembled unit to put on the base panel and hang in the slots

Complete metal casing + handle nickle mat 288 a/a,

Drawer front height 140 mm (5,51 in)

9 dividers per drawer



## Drawer unit 805

Drawers useful depth 320 mm (12,60 in) - Overall depth 433 mm (17,05 in)

Drawer: 4 lanes 174 mm (6,85 in)

Assembled unit to put on the base panel and hang in the slots

Complete metal casing + handle nickle mat 288 a/a

Drawer front height 140 mm (5,51 in)

12 dividers per drawer



## Drawer unit 905

Drawers useful depth 320 mm (12,60 in) - Overall depth 433 mm (17,05 in)

Drawer: 2 lanes 174 mm (6,85 in) + 2 lanes 224 mm (8,82 in)

Assembled unit to put on the base panel and hang in the slots

Complete metal casing + handle nickle mat 288 a/a

Drawer front height 140 mm (5,51 in)

15 dividers per drawer

RAL 9016 S

Axes width

705 mm - 27,76 in    805 mm - 31,69 in    905 mm - 35,63 in

Unit 2 drawers - H. 324,5 mm (12,76 in)    30-10-40-2705-16    30-10-40-2805-16    30-10-40-2905-16

Overall height from the floor min 425,5 mm - 16,73 in

Unit 3 drawers - H. 474,5 mm (18,66 in)    30-10-40-3705-16    30-10-40-3805-16    30-10-40-3905-16

Overall height from the floor min 575,5 mm - 22,64 in

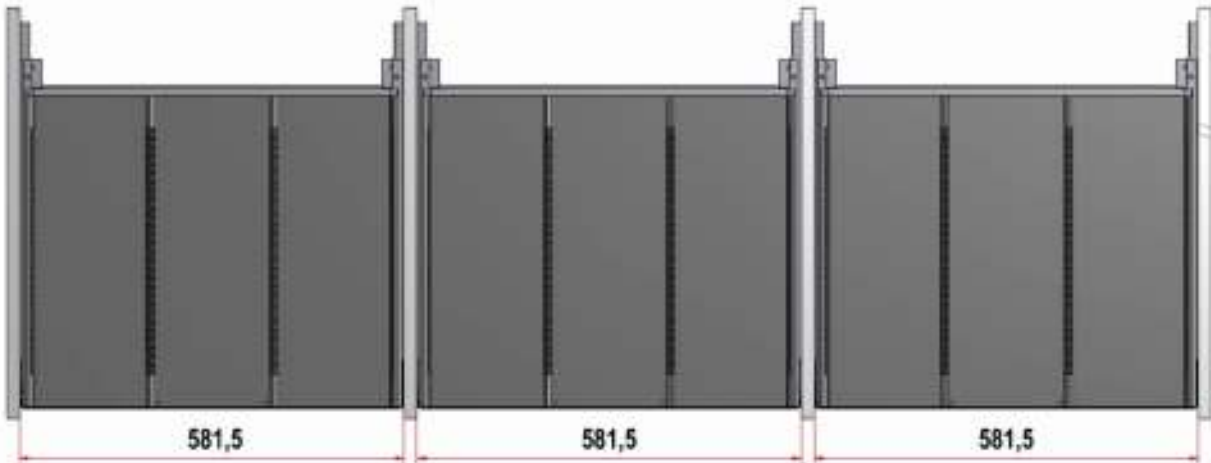
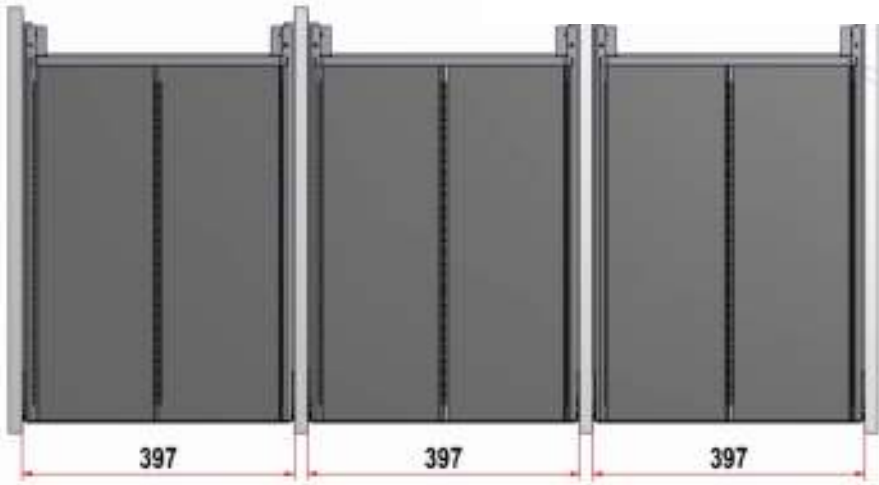
Unit 4 drawers - H. 624,5 mm (24,57 in)    30-10-40-4705-16    30-10-40-4805-16    30-10-40-4905-16

Overall height from the floor min 725,5 mm - 28,54 in

# Part 3: Worktop units

Screw on slides

Slide hooks



# Roll out trays with wooden base for worktop units

RAL 9006



## Roll-out tray

Extraction depths

Axes width

417 mm - 16,42 in 601,5 mm - 23,68 in

470 mm - 18,50 in

02-04-10-06

03-04-10-06

535 mm - 21,06 inches integrated

520 mm - 20,47 in

02-06-10-06

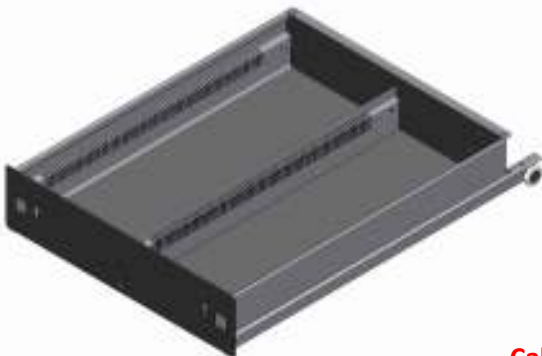
03-06-10-06

585 mm - 23,03 inches integrated

**Cabinet interior width for slide screwing: 397 mm - 15,63 in 581,5 mm - 22,91 in**

## Roll-out tray with 2 lanes

RAL 9006



Extraction depths

Axes width

417 mm - 16,42 in

470 mm - 18,5 in

02-04-11-06

535 mm - 21,06 inches integrated

520 mm - 20,47 in

02-06-11-06

585 mm - 23,03 inches integrated

**Cabinet interior width for slide screwing: 397 mm - 15,63 in**

## Roll-out tray with 3 lanes

RAL 9006



Extraction depths

Axes width

601,5 mm - 23,68 in

470 mm - 18,5 in

03-04-12-06

535 mm - 21,06 inches integrated

520 mm - 20,47 in

03-06-12-06

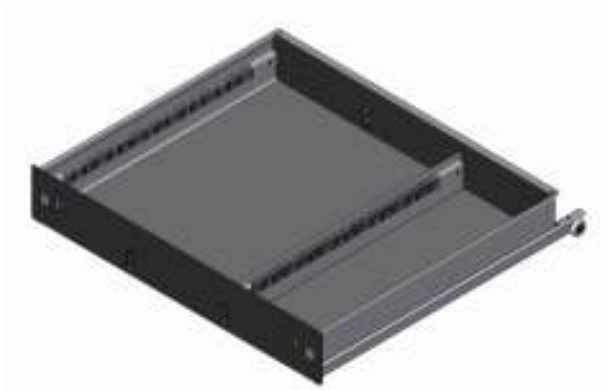
585 mm - 23,03 inches integrated

**Cabinet interior width for slide screwing: 581,5 mm - 22,91 in**

# Wide roll-out trays

## Roll-out asymmetrical tray with wooden base

RAL 9006



Extraction depths

Axes width

601,5 mm - 23,68 in

470 mm - 18,5 in

03-04-11-06

535 mm - 21,06 inches integrated

520 mm - 20,47 in

03-06-11-06

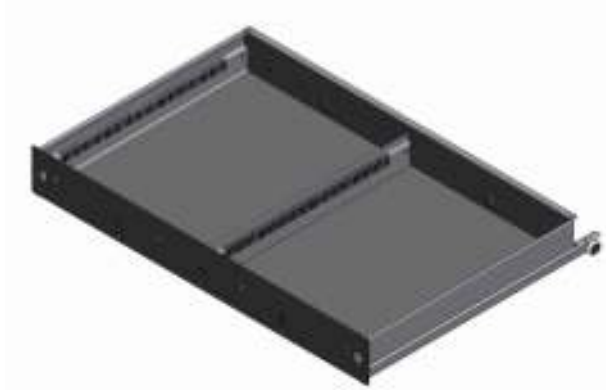
585 mm - 23,03 inches integrated

**Cabinet interior width for slide screwing:**

**581,5 mm - 22,91 in**

## Roll-out tray with wooden base

RAL 9006



Extraction depths

Axes width

786 mm - 30,94 in

470 mm - 18,5 in

04-04-11-06

535 mm - 21,06 inches integrated

520 mm - 20,47 in

04-06-11-06

585 mm - 23,03 inches integrated

**Cabinet interior width for slide screwing:**

**766 mm - 30,16 in**

Possibility to complete these drawers with longitudinal dividers to create maximum 4 lanes.

## Longitudinal divider



Extraction depths

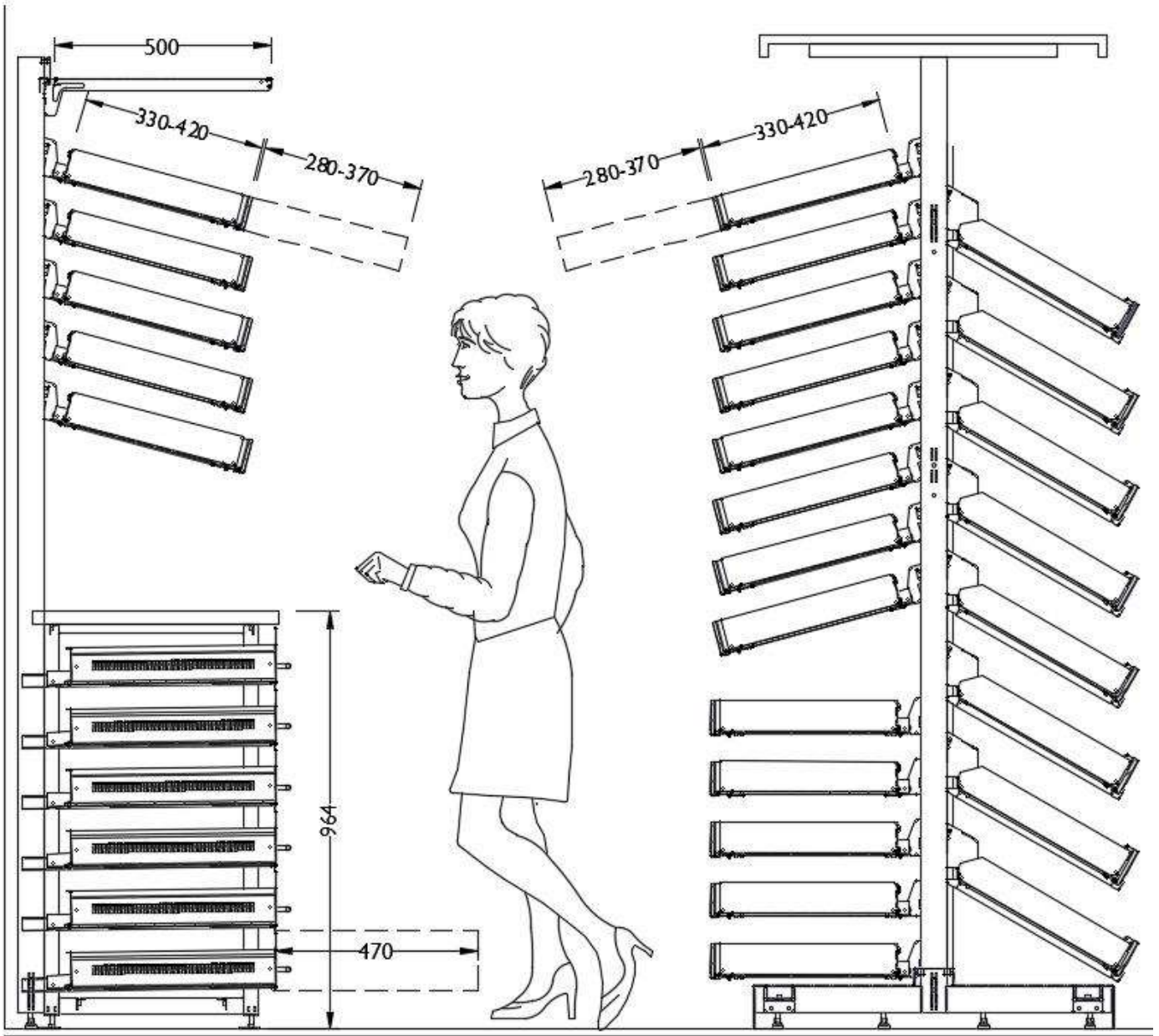
RAL 9006

470 mm - 18,5 in

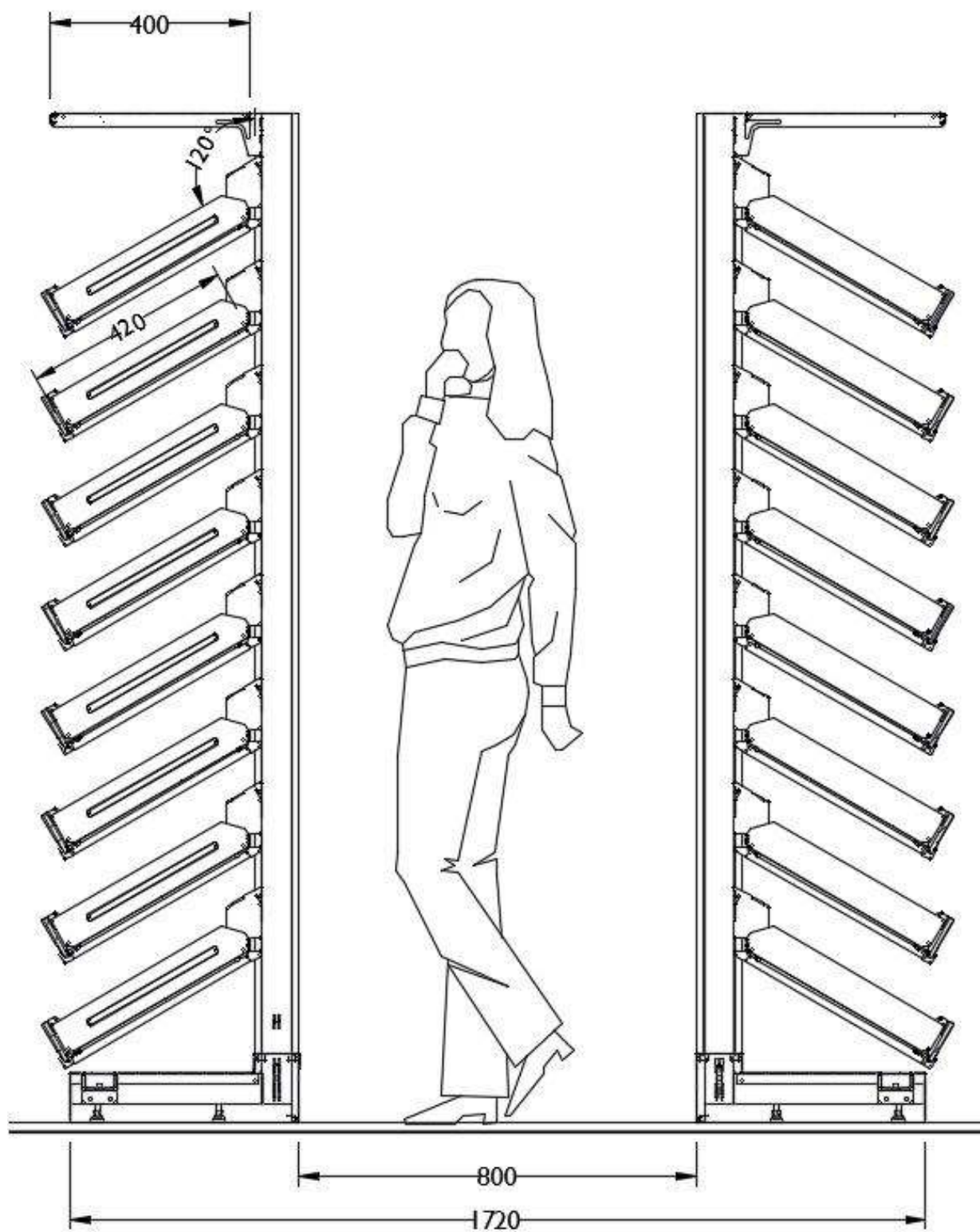
01-04-002

520 mm - 20,47 in

01-06-002







# FPD Group Limited

Tel: 0115 871 8789

Fax: 0115 727 0123

Email: [info@fpd-group.co.uk](mailto:info@fpd-group.co.uk)

International Enquiries:

Tel: +44 115 871 8789

Web: [www.fpd-group.co.uk](http://www.fpd-group.co.uk)

**FPDGROUP**<sup>Ltd</sup>

Corporate Website: [www.fpd-group.co.uk](http://www.fpd-group.co.uk)