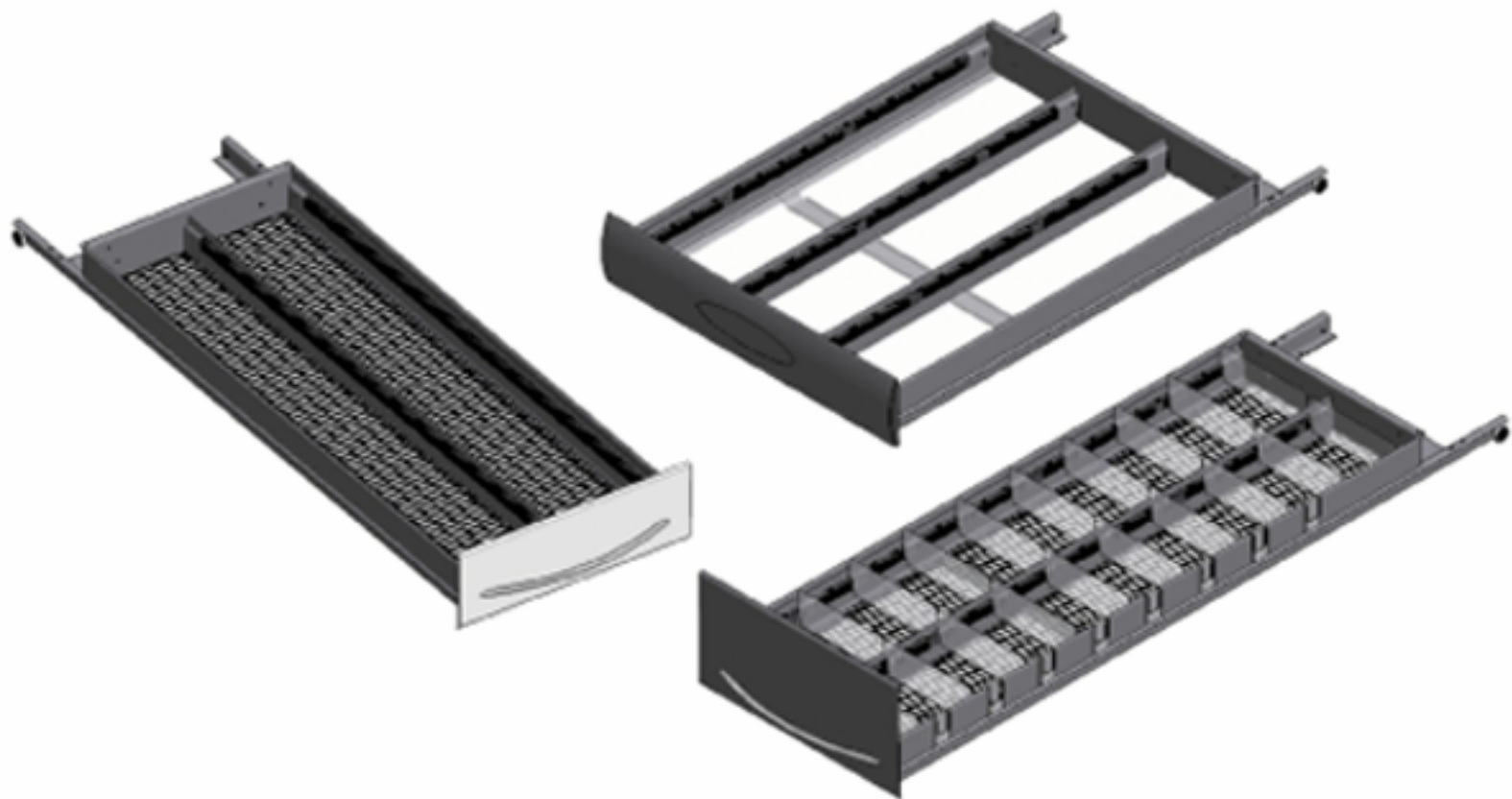


FPDGROUP^{Ltd}

Your partner in pharmacy storage



Drawer system

Version 2015.01

Part 1: Counter and under bench

Side frames

Frame depth 495 mm - 19,49 in

RAL 9006



Pitch	Frame height	Reference number
35	903 mm 35,6 in	20-21-06
25	938 mm 37,0 in	20-22-06

Alternative of drawers configurations (axes height)

Pitch 35	4 drawers H. 210 mm - 8,27 in OR
24 pitch of 35 mm to divide	6 drawers H. 140 mm - 5,51 in OR
	8 drawers H. 105 mm - 4,13 in
Pitch 25	2 drawers H. 250 + 3 de H. 125 mm - 2 x 9,84 + 3 x 4,92 in OR
35 pitch of 25 mm to divide	3 drawers H. 250 + 1 de H. 125 mm - 3 x 9,84 + 1 x 4,92 in OR
	7 drawers H. 125 mm - 4,92 in

Frame pitch 35 with skirting board 100 mm: finished height 940 mm - 37,01 in

Frame pitch 25 with skirting board 100 mm: finished height 975 mm - 38,39 in

Frame depth 495 mm - 19,49 in

RAL 9006



Pitch	Frame height	Reference number
35	694 mm 27,32 in	20-31-06
25	689 mm 27,13 in	20-32-06

Alternative of drawers configurations (axes height)

Pitch 35	6 drawers H. 105 mm - 4,13 in OR
18 Pitch of 35 mm to divide	3 drawers H. 210 mm - 8,27 in OR
	1 drawers H. 210 + 3 de H. 140 mm - 1 x 8,27 + 3 x 5,51 in
Pitch 25	5 drawers H. 125 mm - 4,92 in OR
25 Pitch of 25 mm to divide	1 drawers H. 250 + 3 de H. 125 mm - 1 x 9,84 + 3 x 4,92 in OR
	2 drawers H. 250 + 1 de H. 125 mm - 2 x 9,84 + 1 x 4,92 in

Frame pitch 35 with skirting board 100 mm: finished height 730 mm - 28,74 in

Frame pitch 25 with skirting board 100 mm: finished height 725 mm - 28,54 in

Drawers' minimum height: 105 mm axes width

Floor leveller and strut



Floor leveller

M10 x H. 50 mm - 1,97 in

61-30-01

Ø 44 mm - 1,73 in

High resistance black nylon foot to screw



Floor leveller

M10 x H. 50 mm - 1,97 in

61-30-02

Galvanized steel foot 48 x 20 mm - 0,79 in to screw.

Possibility to fix in to the floor.

« L » Strut



Axes width

RAL 9006

417 mm 16,4 in 16-01-001-06

601,5 mm 23,68 in 16-02-001-06

786 mm 30,24 in 16-03-001-06

4 struts to fix for each drawer block: 2 pieces on top + 2 pieces below

Drawer slides

Slide hook



To hook in the side frame.

Slide length

RAL 9006

526 mm Right 10-05.01-06

20,71 in Left 10-05.02-06

535 mm - 21,06 inches integrated

573,5 mm Right 10-06.01-06

22,56 in Left 10-06.02-06

585 mm - 23,03 inches integrated

Screw-on slide



To screw directly on the wooden wall.

Slide length

RAL 9006

370 mm Right 11-03.01-06

14,57 in Left 11-03.02-06

380 mm - 14,96 inches integrated

526 mm Right 11-05.01-06

20,71 in Left 11-05.02-06

535 mm - 21,06 inches integrated

573,5 mm Right 11-06.01-06

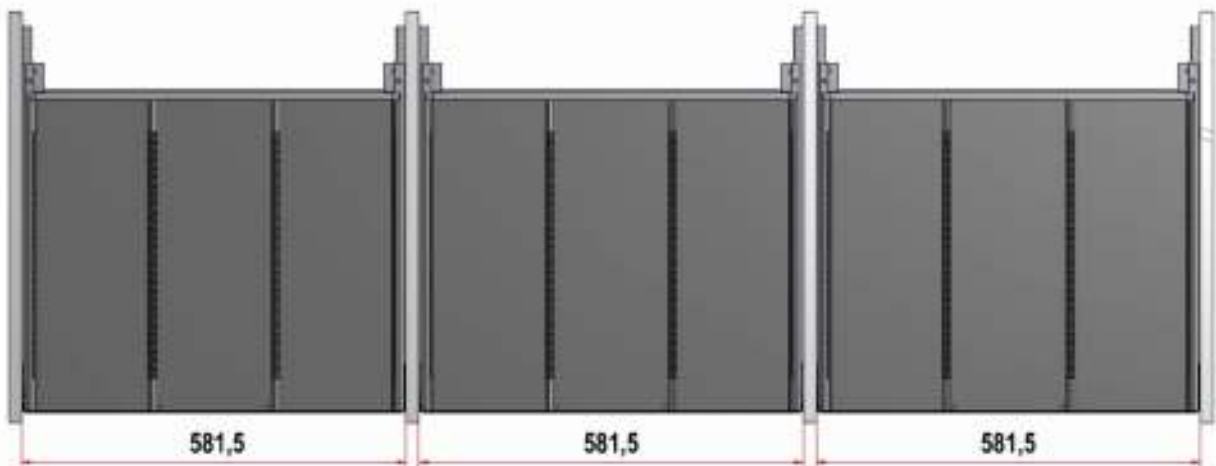
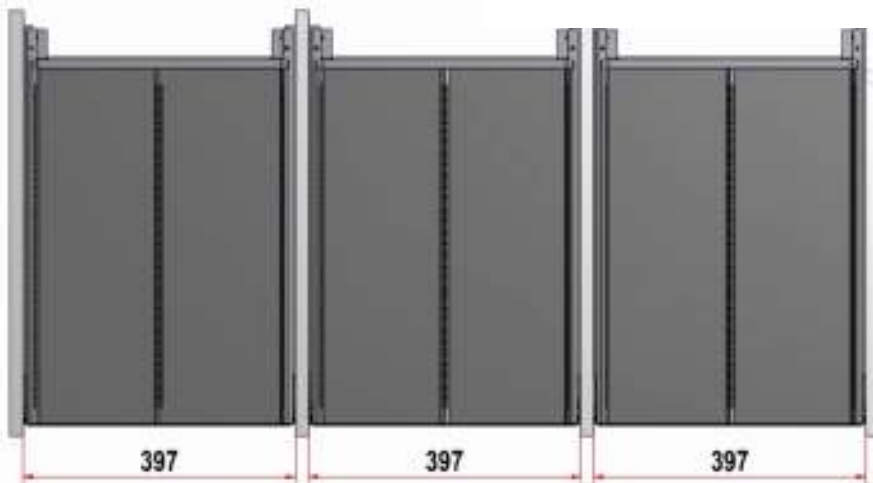
22,56 in Left 11-06.02-06

585 mm - 23,03 inches integrated

Assembly example

Screw on slides

Slide hooks



Roll out trays without longitudinal divider

Roll-out tray with wooden base

RAL 9006



Extraction depths

Axes width

417 mm - 16,42 in 601,5 mm - 23,68 in

320 mm - 12,60 in

02-02-10-06

03-02-10-06

380 mm - 14,96 inches integrated

470 mm - 18,50 in

02-04-10-06

03-04-10-06

535 mm - 21,06 inches integrated

520 mm - 20,47 in

02-06-10-06

03-06-10-06

585 mm - 23,03 inches integrated

Cabinet interior width for slide screwing: 397 mm - 15,63 in 581,5 mm - 22,91 in

Roll-out tray with wire mesh base

RAL 9006



Extraction depths

Axes width

417 mm - 16,42 in 601,5 mm - 23,68 in

470 mm - 18,50 in

02-04-20-06

03-04-20-06

535 mm - 21,06 inches integrated

520 mm - 20,47 in

02-06-20-06

03-06-20-06

585 mm - 23,03 inches integrated

Cabinet interior width for slide screwing: 397 mm - 15,63 in 581,5 mm - 22,91 in

Roll-out tray with acrylic glass base

RAL 9006



Extraction depths

Axes width

417 mm - 16,42 in 601,5 mm - 23,68 in

320 mm - 12,60 in

02-02-30-06

03-02-30-06

380 mm - 14,96 inches integrated

470 mm - 18,50 in

02-04-30-06

03-04-30-06

535 mm - 21,06 inches integrated

520 mm - 20,47 in

02-06-30-06

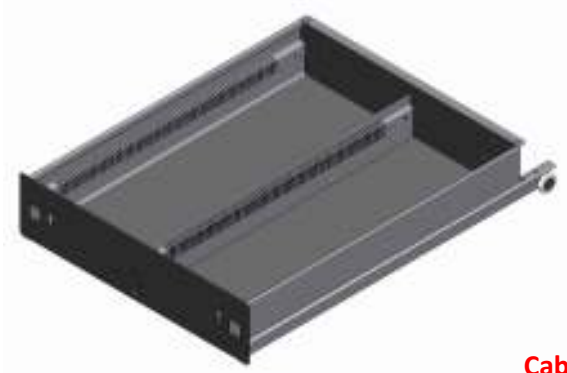
03-06-30-06

585 mm - 23,03 inches integrated

Cabinet interior width for slide screwing: 397 mm - 15,63 in 581,5 mm - 22,91 in

Roll-out tray with 1 fixed longitudinal divider

RAL 9006



Roll-out tray with wooden base

Extraction depths

Axes width

417 mm - 16,42 in

470 mm - 18,5 in

02-04-11-06

535 mm - 21,06 inches integrated

520 mm - 20,47 in

02-06-11-06

585 mm - 23,03 inches integrated

Cabinet interior width for slide screwing: 397 mm - 15,63 in

RAL 9006



Extraction depths

Axes width

417 mm - 16,42 in

470 mm - 18,5 in

02-04-21-06

535 mm - 21,06 inches integrated

520 mm - 20,47 in

02-06-21-06

585 mm - 23,03 inches integrated

Cabinet interior width for slide screwing: 397 mm - 15,63 in

RAL 9006



Roll-out tray with acrylic glass base

Extraction depths

Axes width

417 mm - 16,42 in

470 mm - 18,5 in

02-04-31-06

535 mm - 21,06 inches integrated

520 mm - 20,47

02-06-31-06

585 mm - 23,03 inches integrated

Cabinet interior width for slide screwing: 397 mm - 15,63 in

Roll-out tray with 2 fixed longitudinal dividers

Roll-out tray with wooden base

RAL 9006



Extraction depths

Axes width

601,5 mm - 23,68 in

320 mm - 12,60 in

03-02-12-06

380 mm - 14,96 inches integrated

470 mm - 18,5 in

03-04-12-06

535 mm - 21,06 inches integrated

520 mm - 20,47 in

03-06-12-06

585 mm - 23,03 inches integrated

Cabinet interior width for slide screwing:

581,5 mm - 22,91 in

Roll-out tray with wire mesh base

RAL 9006



Extraction depths

Axes width

601,5 mm - 23,68 in

470 mm - 18,5 in

03-04-22-06

535 mm - 21,06 inches integrated

520 mm - 20,47 in

03-06-22-06

585 mm - 23,03 inches integrated

Cabinet interior width for slide screwing:

581,5 mm - 22,91 in

Separators for ulterior organisation refer to Part 3: accessories.

Wide roll-out trays

Roll-out asymmetrical tray with wooden base

RAL 9006



Extraction depths

Axes width

601,5 mm - 23,68 in

470 mm - 18,5 in

03-04-11-06

535 mm - 21,06 inches integrated

520 mm - 20,47 in

03-06-11-06

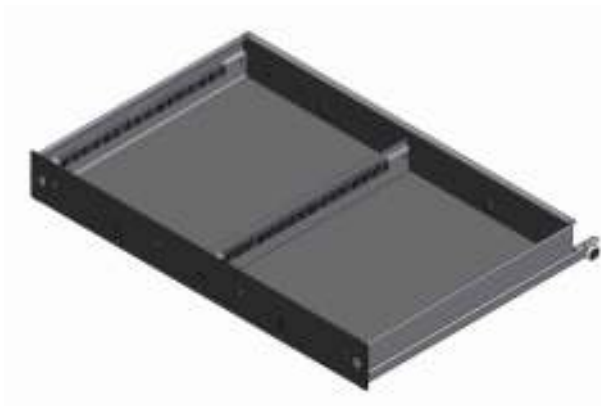
585 mm - 23,03 inches integrated

Cabinet interior width for slide screwing:

581,5 mm - 22,91 in

Roll-out tray with wooden base

RAL 9006



Extraction depths

Axes width

786 mm - 30,94 in

320 mm - 12,60 in

04-02-11-06

380 mm - 14,96 inches integrated

470 mm - 18,5 in

04-04-11-06

535 mm - 21,06 inches integrated

520 mm - 20,47 in

04-06-11-06

585 mm - 23,03 inches integrated

Cabinet interior width for slide screwing:

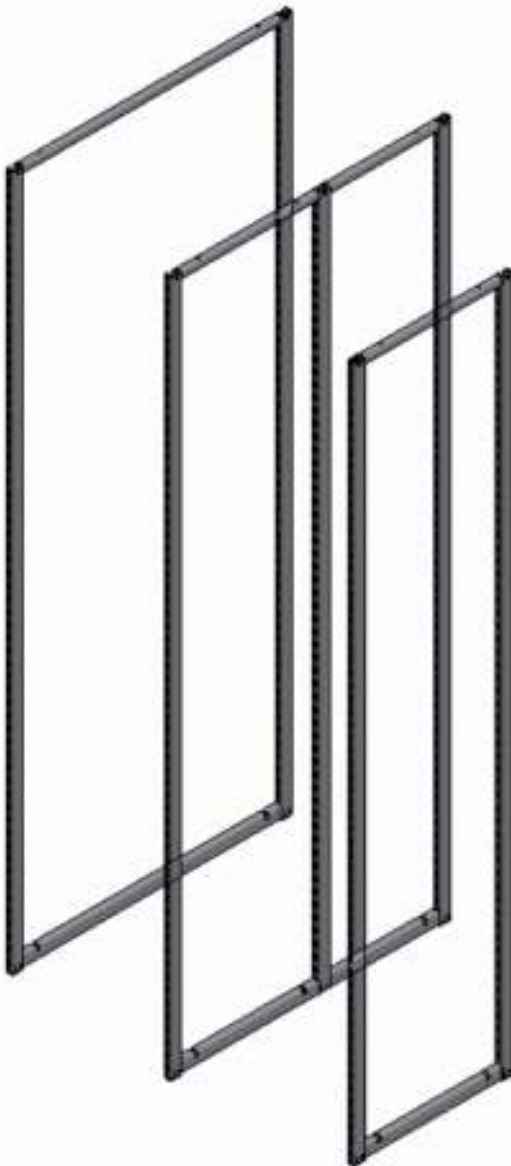
766 mm - 30,16 in

Possibility to complete with 2 longitudinal dividers to create 4 lanes.

Part 2: High capacity drawer systems

Side frames without central locking

Frame depth 870 mm - 34,25 in



Pitch	Height		RAL 9006
P35 = 60 pitches	2164 mm	85,16 in	20-01-06
P25 = 84 pitches	2160 mm	85 in	20-02-06
P25 = 80 pitches	2066 mm	81,13 in	20-03-06

Frame depth « Combi » 495-870 mm / 19,49 -34,25 in

Pitch	Height		RAL 9006
P35 = 60 pitches	2164 mm	85,16 in	20-10-06
P25 = 84 pitches	2160 mm	85 in	20-11-06
P25 = 80 pitches	2066 mm	81,13 in	20-12-06

Frame depth 495 mm - 19,49 in

Pitch	Height		RAL 9006
P35 = 60 pitches	2164 mm	85,16 in	20-15-06
P25 = 84 pitches	2160 mm	85 in	20-16-06
P25 = 80 pitches	2066 mm	81,13 in	20-17-06

Drawers unit pitch 25 - 35 mm with skirting board 100 mm: finished height 2200 mm (86,61 in)

Drawers unit pitch 25 mm (80pitches) with skirting board 100 mm: finished height 2100 mm (82,68 in)

Contact us for a detailed proposal of drawers - height division on the base of your contents.

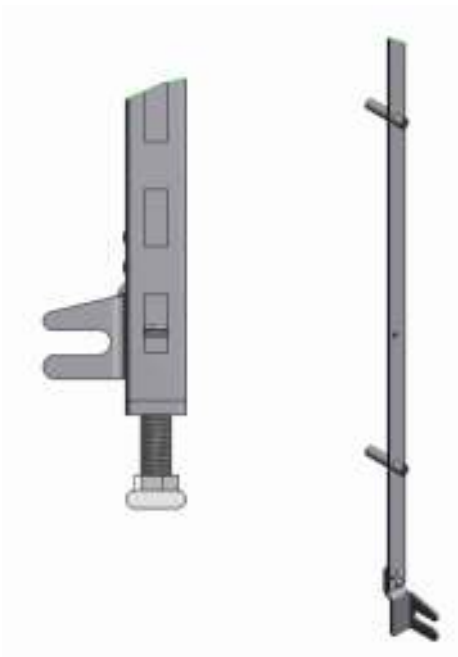
Side frames with central locking

Frame depth 870 mm - 34,25 in



Pitch	Height		RAL 9006
P35 = 60 pitches	2164 mm	85,16 in	20-51-06
P25 = 84 pitches	2160 mm	85 in	20-52-06
P25 = 80 pitches	2066 mm	81,13 in	20-53-06

Frame depth « Combi » 495-870 mm / 19,49 -34,25 in



Pitch	Height		RAL 9006
P35 = 60 pitches	2164 mm	85,16 in	20-60-06
P25 = 84 pitches	2160 mm	85 in	20-61-06
P25 = 80 pitches	2066 mm	81,13 in	20-62-06

Frame depth 495 mm - 19,49 in

Pitch	Height		RAL 9006
P35 = 60 pitches	2164 mm	85,16 in	20-65-06
P25 = 84 pitches	2160 mm	85 in	20-66-06
P25 = 80 pitches	2066 mm	81,13 in	20-67-06

Central locking in pitch 35: standard locking for 15 x 140 mm height drawers

Pitch 25: locking for 15 x 125 + 1 x 225 mm

All other height positions of the drawer-locking on simple request.

Floor leveller and strut



Floor leveller

M10 x H. 50 mm - 1,97 in

61-30-01

Ø 45 mm - 1,77 in

High resistance black nylon foot to screw



Floor leveller

M10 x H. 50 mm - 1,97 in

61-30-02

Galvanized steel foot 48 x 20 mm (0,79 in) to screw.

Possibility to screw into the floor.

« L » Strut



Axes width

RAL 9006

417 mm 16,4 in 16-01-001-06

601,5 mm 23,68 in 16-02-001-06

786 mm 30,24 in 16-03-001-06

4 struts to fix for each drawer block: 2 pieces on top + 2 pieces below

Framework

Axes width 417 mm - 16,42 in

Frame length

RAL 9006



526 mm - 20,71 in	12-05-06
535 mm - 21,06 inches integrated	
573,5 mm - 22,56 in	12-06-06
585 mm - 23,03 inches integrated	
879 mm - 34,61 in	12-09-06
900 mm - 35,43 inches integrated	
1172 mm - 46,14 in	12-11-06
1180 mm - 46,46 inches integrated	
1272 mm - 50,08 in	12-13-06
1280 mm - 50,93 inches integrated	

Axes width 601,5 mm - 23,68 in

526 mm - 20,71 in

13-05-06



535 mm - 21,06 inches integrated	
573,5 mm - 22,56 in	13-06-06
585 mm - 23,03 inches integrated	
879 mm - 34,61 in	13-09-06
900 mm - 35,43 inches integrated	
1172 mm - 46,14 in	13-11-06
1180 mm - 46,46 inches integrated	
1272 mm - 50,08 in	13-13-06
1280 mm - 50,93 inches integrated	

2 frameworks per bloc, replacing slide hooks to precise the axes width.

Rubber stop



Sustainable black rubber stop 12 x 8 mm - 0,47 x 0,31 in

Packaging: 200 pieces

50-03-001-01

* Exclusively for maintenance and revision

Drawer slides

RAL 9006



Slide hook

To hook in the side frame.

Slide length	Right	Left
526 mm - 20,71 in	10-05.01-06	10-05.02-06
535 mm - 21,06 inches integrated		
573,5 mm - 22,56 in	10-06.01-06	10-06.02-06
585 mm - 23,03 inches integrated		
879 mm - 34,61 in	10-09.01-06	10-09.02-06
900 mm - 35,43 inches integrated		
1172 mm - 46,14 in	10-11.01-06	10-11.02-06
1180 mm - 46,46 inches integrated		
1272 mm - 50,08 in	10-13.01-06	10-13.02-06
1280 mm - 50,93 inches integrated		

RAL 9006



Screw-on slides

To screw on wooden side.

Slide length	Right	Left
526 mm	11-05.01-06	11-05.02-06
535 mm incorporés		
573,5 mm	11-06.01-06	11-06.02-06
585 mm incorporés		
879 mm	11-09.01-06	11-09.02-06
900 mm incorporés		
1172 mm	11-11.01-06	11-11.02-06
1180 mm incorporés		



Safety clip

Safety clips to interlink above the drawer slides placed.

50-02-001-01

High capacity drawer with 1 fixed divider

RAL 9006



Drawer with wooden base

Extraction depths	Axes width 417 mm - 16,42 in
470 mm - 18,5 in	02-04-11-06
535 mm - 21,06 inches integrated	
520 mm - 20,47 in	02-06-11-06
585 mm - 23,03 inches integrated	
750 mm - 29,53 in	02-08-11-06
900 mm - 35,43 inches integrated	
1000 mm - 39,37 in	02-10-11-06
1180 mm - 46,46 inches integrated	
1100 mm - 43,31 in	02-12-11-06
1280 mm - 50,39 inches integrated	

RAL 9006



Drawer with wire mesh base

Extraction depths	Axes width 417 mm - 16,42 in
470 mm - 18,5 in	02-04-21-06
535 mm - 21,06 inches integrated	
520 mm - 20,47 in	02-06-21-06
585 mm - 23,03 inches integrated	
750 mm - 29,53 in	02-08-21-06
900 mm - 35,43 inches integrated	
1000 mm - 39,37 in	02-10-21-06
1180 mm - 46,46 inches integrated	
1100 mm - 43,31 in	02-12-21-06
1280 mm - 50,39 inches integrated	

RAL 9006



Drawer with acrylic glass base

Extraction depths	Axes width 417 mm - 16,42 in
470 mm - 18,5 in	02-04-31-06
535 mm - 21,06 inches integrated	
520 mm - 20,47 in	02-06-31-06
585 mm - 23,03 inches integrated	
750 mm - 29,53 in	02-08-31-06
900 mm - 35,43 inches integrated	
1000 mm - 39,37 in	02-10-31-06
1180 mm - 46,46 inches integrated	
1100 mm - 43,31 in	02-12-31-06
1280 mm - 50,39 inches integrated	

High capacity drawers with 2 fixed dividers

RAL 9006



Drawer with wooden base

Extraction depths	Axes width 601,5 mm - 23,68 in
470 mm - 18,5 in	03-04-12-06
535 mm - 21,06 inches integrated	
520 mm - 20,47 in	03-06-12-06
585 mm - 23,03 inches integrated	
750 mm - 29,53 in	03-08-12-06
900 mm - 35,43 inches integrated	
1000 mm - 39,37 in	03-10-12-06
1180 mm - 46,46 inches integrated	
1100 mm - 43,31 in	03-12-12-06
1280 mm - 50,39 inches integrated	

RAL 9006



Drawer with wire mesh base

Extraction depths	Axes width 601,5 mm - 23,68 in
470 mm - 18,5 in	03-04-22-06
535 mm - 21,06 inches integrated	
520 mm - 20,47 in	03-06-22-06
585 mm - 23,03 inches integrated	
750 mm - 29,53 in	03-08-22-06
900 mm - 35,43 inches integrated	
1000 mm - 39,37 in	03-10-22-06
1180 mm - 46,46 inches integrated	
1100 mm - 43,31 in	03-12-22-06
1280 mm - 50,39 inches integrated	

RAL 9006



Drawer with acrylic glass base

Extraction depths	Axes width 601,5 mm - 23,68 in
470 mm - 18,5 in	03-04-32-06
535 mm - 21,06 inches integrated	
520 mm - 20,47 in	03-06-32-06
585 mm - 23,03 inches integrated	
750 mm - 29,53 in	03-08-32-06
900 mm - 35,43 inches integrated	
1000 mm - 39,37 in	03-10-32-06
1180 mm - 46,46 inches integrated	
1100 mm - 43,31 in	03-12-32-06
1280 mm - 50,39 inches integrated	



Part 3: Accessories

Organisation



Step frame

Axes width

RAL 9006

417 mm - 16,42 in

15-01

601,5 mm - 23,68 in

15-02

Lino step bottom for step frame

417 mm - 16,42 in

15-50-01

601,5 mm - 23,68 in

15-50-02

Longitudinal divider

Extraction depths

RAL 9006

320 mm - 12,60 in

01-02-002

470 mm - 18,5 in

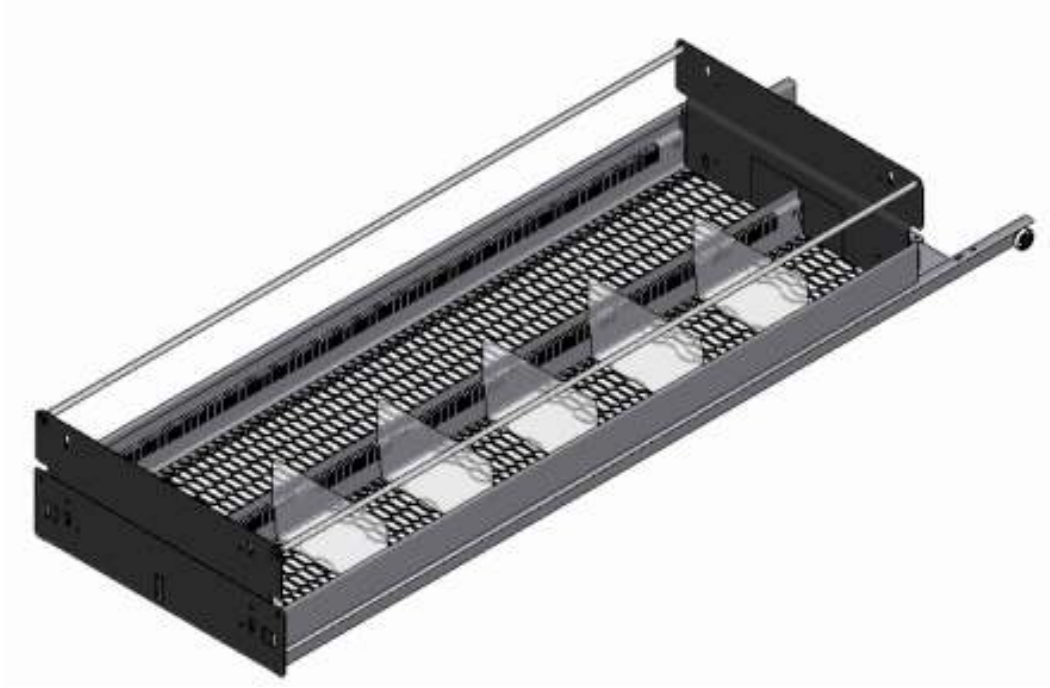
01-04-002

520 mm - 20,47 in

01-06-002



Longitudinal separators are only useful for drawers with a space for an ulterior organization.



RAL 9006

Single riser

For double drawers

Axes width

417 mm - 16,42 601,5 mm - 23,68 in

H. 105 mm - 4,13 in 25-00-001-06

H. 125 mm - 4,92 in 25-02-001-06 25-06-001-06

H. 140 mm - 5,51 in 25-03-001-06



Connecting rods

For drawers with extraction depths

470 mm - 18,5 in 29-04

520 mm - 20,47 in 29-06

750 mm - 29,53 in 29-08

1000 mm - 39,37 in 29-10

1100 mm - 43,31 in 29-12



All connecting rods are supplied with M6 screws for assembling.

Per drawer: 2 single risers and 2 connecting rods.



Metal separator

Powder coated steel

68 mm x 364 mm - 2,68 in x 14,33 in

27-03-001



Acrylic glas subdivider

H. 64 x 180 mm - 2,52 x 7,09 in

50-01-001

H. 110 x 180 mm - 4,33 x 7,09 in

50-01-004



Small insert

78 x 32 x 23 mm

50-04-011

To clip on the acrylic glas subdivisions

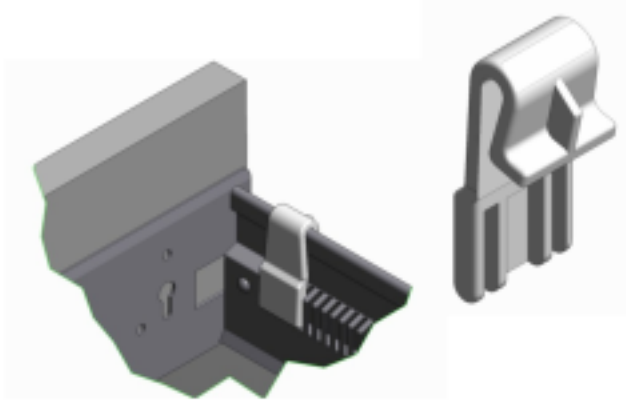


Card holder

Transparent

50-04-001

To clip on the drawers edge exterior



Brake clips for central locking

White nylon brake

50-02-003

To clip on the drawers edge.

Serves to stop the locking system.

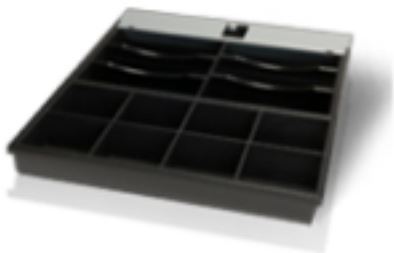


Metal separator homeopathic

90° - 170 mm

3,54° - 6,69 in

27-02-001



Euro cash tray

60-70-01

Cash tray to integrate into H-Pharma drawers.

Color black + metal springs

L. 356 x P. 322 x H. 60 mm / L. 14,02 x D. 12,68 x H. 2,36 in

6 banknote compartments, 8 coin compartments

Ointment plate

35-09-01

Securit-glass plate black / white 6 mm - 0,24 in

on rubber feet

425 mm x 510 mm - 16,73 in x 20,08 in



Drawer front

Drawer front « Smooth » P 25

	Height	Length	RAL 9006	RAL 9010
P25	75 mm	417 mm	28-03-2075-06	28-03-2075-10
	<i>2,95 in</i>	<i>16,42 in</i>		
	125 mm	417 mm	28-03-2125-06	28-03-2125-10
	<i>4,92 in</i>	<i>16,42 in</i>		
	150 mm	417 mm	28-03-2150-06	28-03-2150-10
	<i>5,91 in</i>	<i>16,42 in</i>		
	175 mm	417 mm	28-03-2175-06	28-03-2175-10
	<i>6,89 in</i>	<i>16,42 in</i>		
	200 mm	417 mm	28-03-2200-06	28-03-2200-10
	<i>7,87 in</i>	<i>16,42 in</i>		
225 mm	417 mm	28-03-2225-06	28-03-2225-10	
<i>8,86 in</i>	<i>16,42 in</i>			
250 mm	417 mm	28-03-2250-06	28-03-2250-10	
<i>9,84 in</i>	<i>16,42 in</i>			
	125 mm	601,5 mm	28-03-3125-06	28-03-3125-10
	<i>4,92 in</i>	<i>23,68 in</i>		
	125 mm	786 mm	28-03-4125-06	28-03-4125-10
	<i>4,92 in</i>	<i>30,94 in</i>		

Perforated for handles 288 mm (11,34 in) from center to center

Handle drawer front « Smooth »



Mat nickel handle

338 x 32 mm x M4

13,31 x 1,26 in x M4

2 threaded rods and nuts to fix to the « Smooth front » 60-30-288

2 screws L. 22 mm - 0,87 in for wooden frontage

60-30-288-28

Drawer front « Smooth » P35

	Heigth	Length	RAL 9006	RAL 9010
P35	70 mm	417 mm	28-03-2070-06	28-03-2070-10
	2,76 in	16,42 in		
	140 mm	417 mm	28-03-2140-06	28-03-2140-10
	5,51 in	16,42 in		
	175 mm	417 mm	28-03-2175-06	28-03-2175-10
	6,89 in	16,42 in		
	210 mm	417 mm	28-03-2210-06	28-03-2210-10
	8,27 in	16,42 in		
	280 mm	417 mm	28-03-2280-06	28-03-2280-10
	11,02 in	16,42 in		
	140 mm	601,5 mm	28-03-3140-06	28-03-3140-10
	5,51 in	23,68 in		
	210 mm	601,5 mm	28-03-3210-06	28-03-3210-10
	8,27 in	23,68 in		
	140 mm	786 mm	28-03-4140-06	28-03-4140-10
	5,51 in	30,94 in		
	210 mm	786 mm	28-03-4210-06	28-03-4210-10
	8,27 in	30,94 in		

Perforated for handles 288 mm (11,34 in) from center to center

Handle drawer front « Smooth »



Mat nickel handle

338 x 32 mm x M4

13,31 x 1,26 in x M4

2 threaded rods and nuts to fix to the « Smooth front » 60-30-288

2 screws L. 22 mm - 0,87 in for wooden frontage

60-30-288-28

Drawer front « Vision »

	Height	Length	RAL 9006	RAL 9010
P25	125 mm	417 mm	28-02-2125-06	28-02-2125-10
	<i>4,92 in</i>	<i>16,42 in</i>		
P35	140 mm	417 mm	28-02-2140-06	28-02-2140-10
	<i>5,51 in</i>	<i>16,42 in</i>		
P35	125 mm	601,5 mm	28-02-3125-06	28-02-3125-10
	<i>4,92 in</i>	<i>23,68 in</i>		

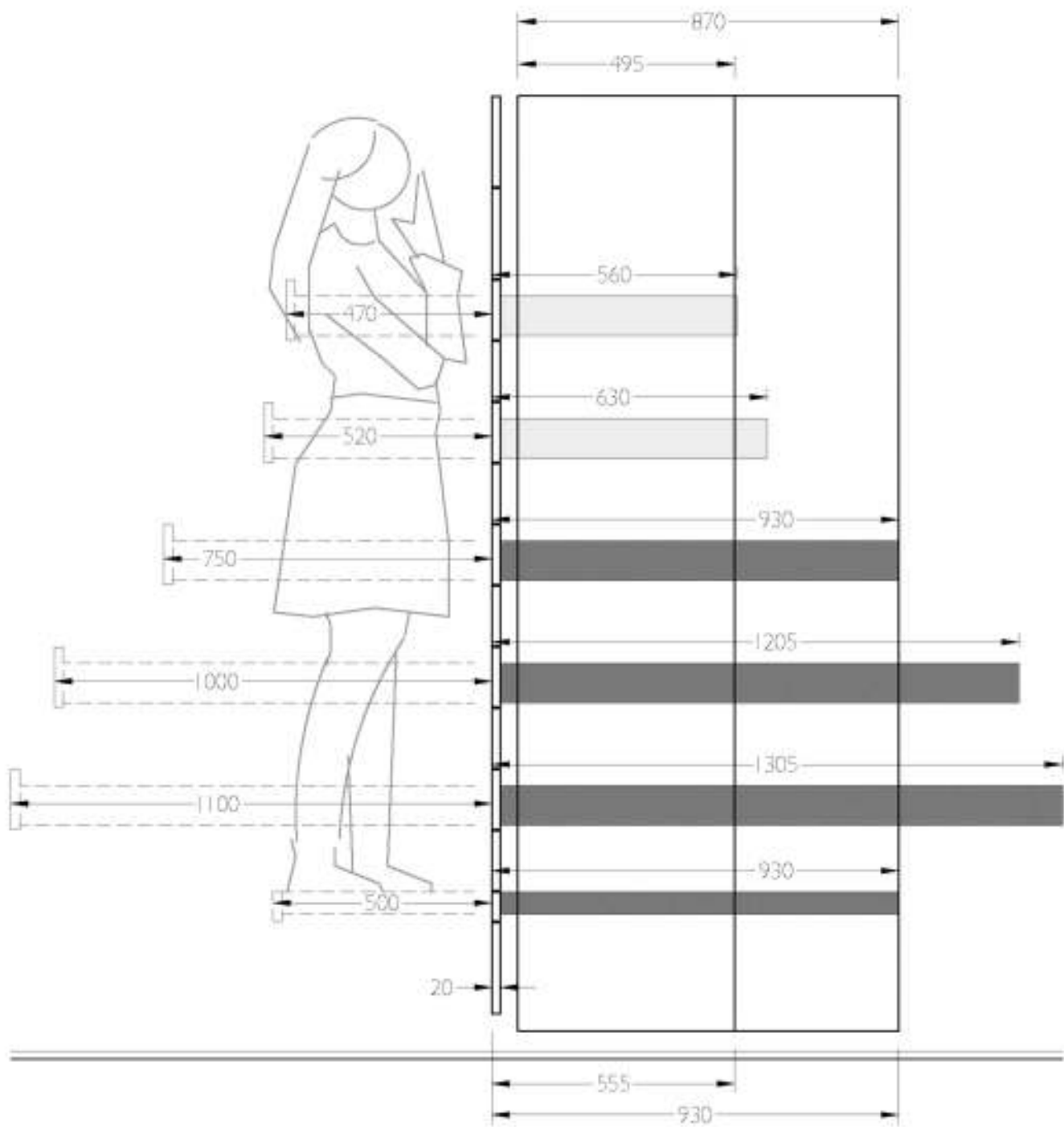
Delivered with matching screws to fix.

Raiser for « Vision » front

	Hauteur	Largeur	RAL 9006	RAL 9010
P25	200 mm	417 mm	28-02-2200-06	28-02-2200-10
	<i>7,87 in</i>	<i>16,42 in</i>		
P35	210 mm	417 mm	28-02-2210-06	28-02-2210-10
	<i>8,27 in</i>	<i>16,42 in</i>		

Delivered with matching screws to fix.

All RAL colours available on request. Estimated delivery time: to agree.



FPD Group Limited

Tel: 0115 871 8789

Fax: 0115 727 0123

Email: info@fpd-group.co.uk

International Enquiries:

Tel: +44 115 871 8789

Web: www.fpd-group.co.uk

FPDGROUP^{Ltd}

Corporate Website: www.fpd-group.co.uk